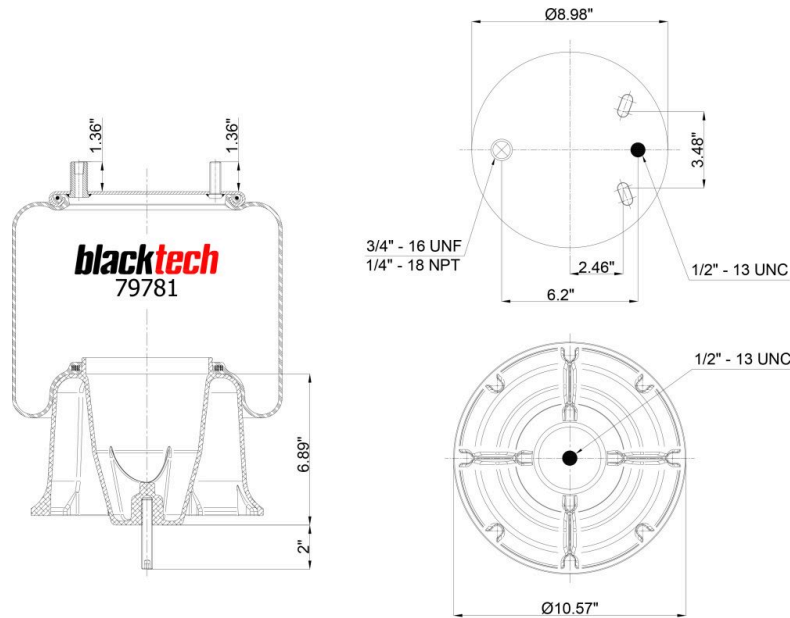


RML 79781 CA



Product Details

Air Spring Typ	Complete Air Springs
Weight (kg, net)	-
Piston Type	Aluminium

OE Manufacturer / Part No.

Fits to Manufacturer	Fits to OE Number
MERITOR	MAF9781
DAYTON	452-9781
FREIGHTLINER	16-14004-000
FREIGHTLINER	16-13840-000
FREIGHTLINER	16-16773-000
FREIGHTLINER	A16-14004-000
FREIGHTLINER	681-320-0017
FREIGHTLINER	16-13810-000

Fits to Manufacturer	Fits to OE Number
FREIGHTLINER	16-19465-000
FREIGHTLINER	16-19466-000

Vibracoustic CV Air Springs GmbH | Hörstener Str. 45-47 | 21079 Hamburg | Germany
catalog-blacktech-airsprings.com