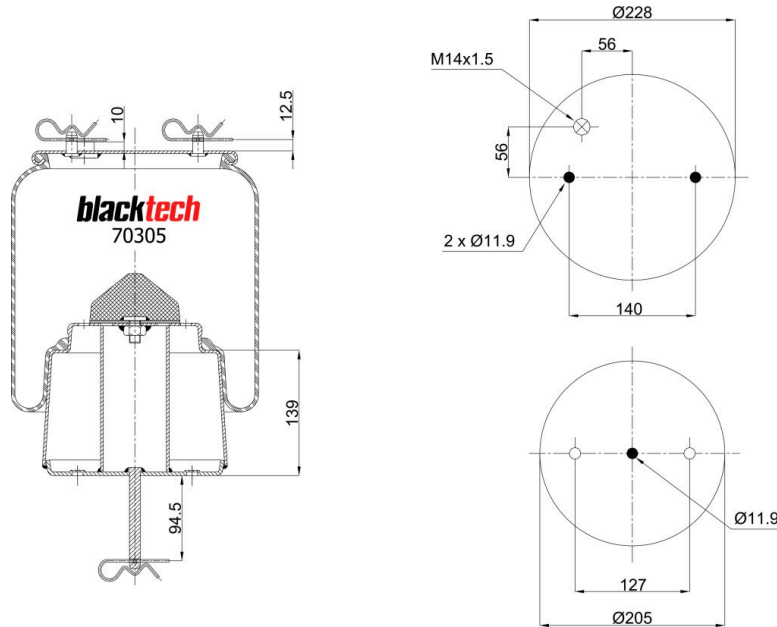


RML 70305 C



Product Details

Air Spring Typ	Complete Air Springs
Gewicht (kg, netto)	-
Kolbentyp	Metal



V 1 DF 20C-2

OE Manufacturer / Part No.

Fits to Manufacturer	Fits to OE Number
SCANIA	1440305